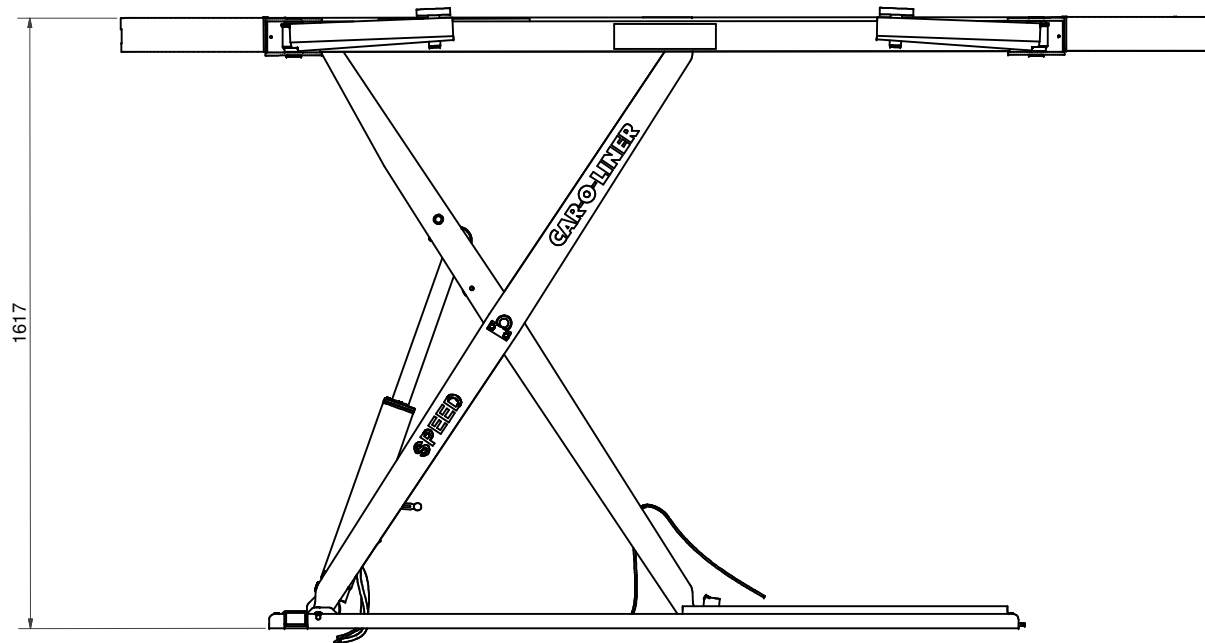
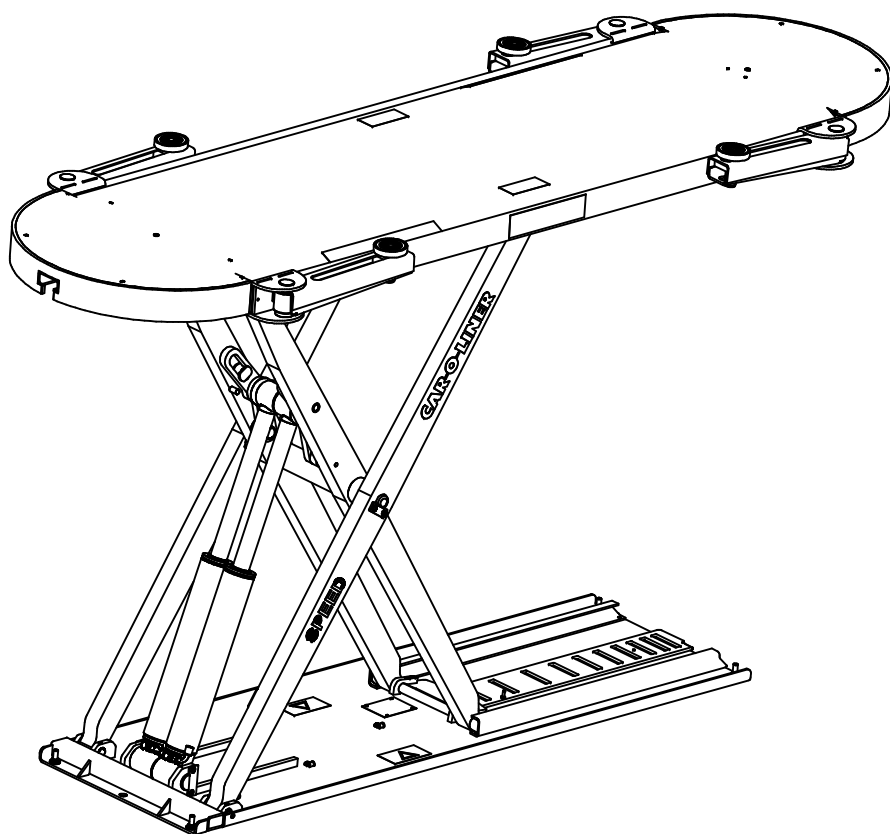
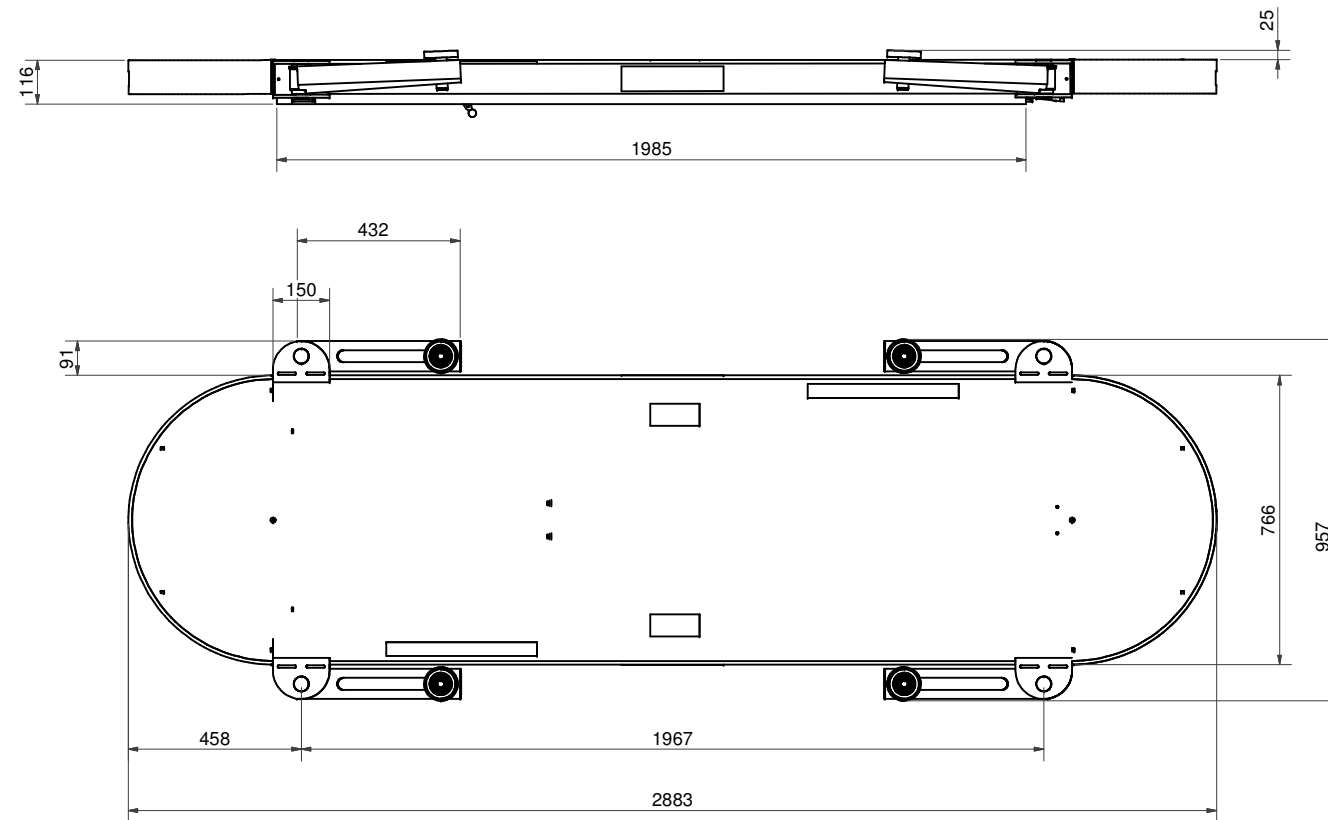


DENNA HANDELSÄR CAR-O-LINER AB EGENOM.
 SKYDD ENLIGT BALANCE LAG.
 THIS DOCUMENT IS THE PROPERTY OF CAR-O-LINER.
 PROTECTED BY ACCORDANCE WITH PATENT LAWS.

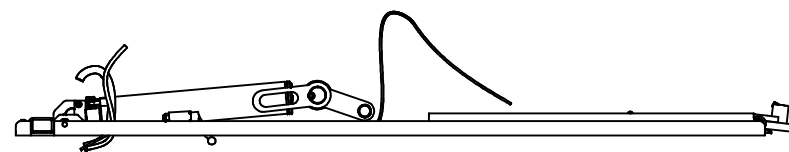
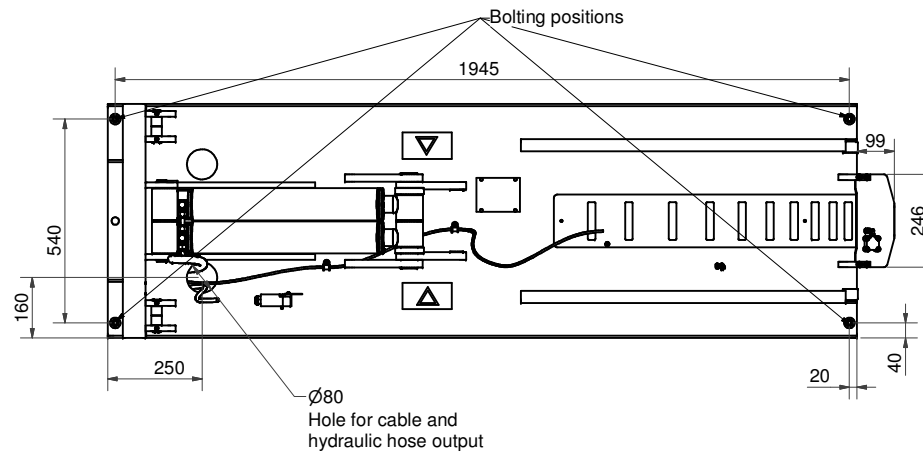
Bench and lift in highest position



Bench and lift in lowest position



Lift platform to show cable and hydraulic output and bolting positions



POS	ANTAL	ART NR / PART NO	MATERIAL	RITN NR EL DIM	ANM / REMARKS
VÄRMEBEHANDLING / HEAT TREATMENT			REFERENCE		
YTREHANDLING / SURFACE TREATMENT			VYRT / WEIGHT		
GENERAL TOLERANCES			SKALA / SCALE		
FORM AND POSITION TOLERANCE			BENÄMNING / NAME		
SS 2650 SS-ISO 1101			SHARP EDGES BROKEN		
ERSÄTTER / REPLACES			INGÅR / INCLUDED IN		
SMBT NR / ASSY NO			PRODUCT GROUP		
ENGINEER			RITNING NR / DRAWING NO		
EP	ME	MS	TL	138 99 00 600	UTGÅVA / ISSUE
07-10-22	07-10-22	07-10-22	07-10-22	U1	BLAD / SHEET
				1	1

A1