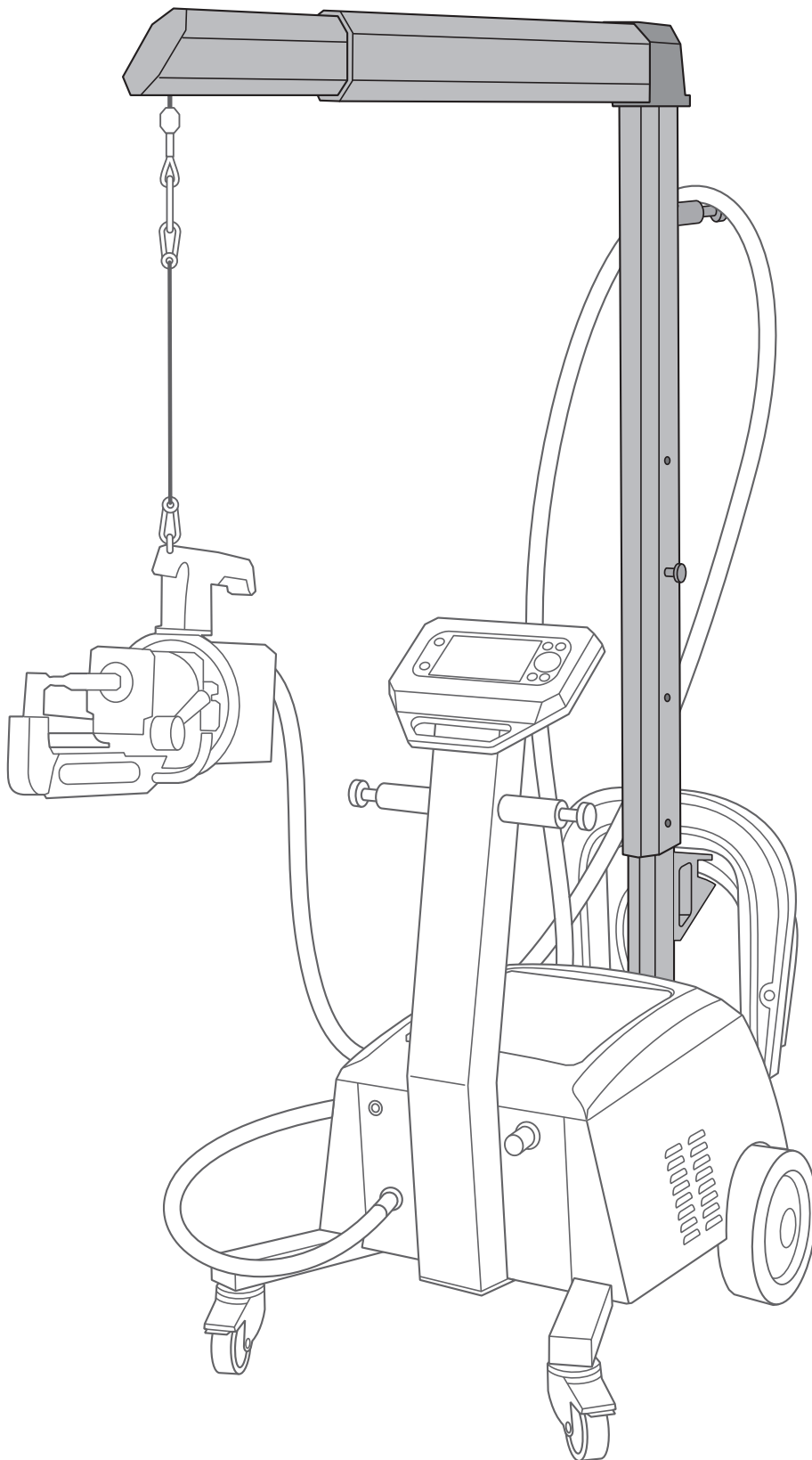
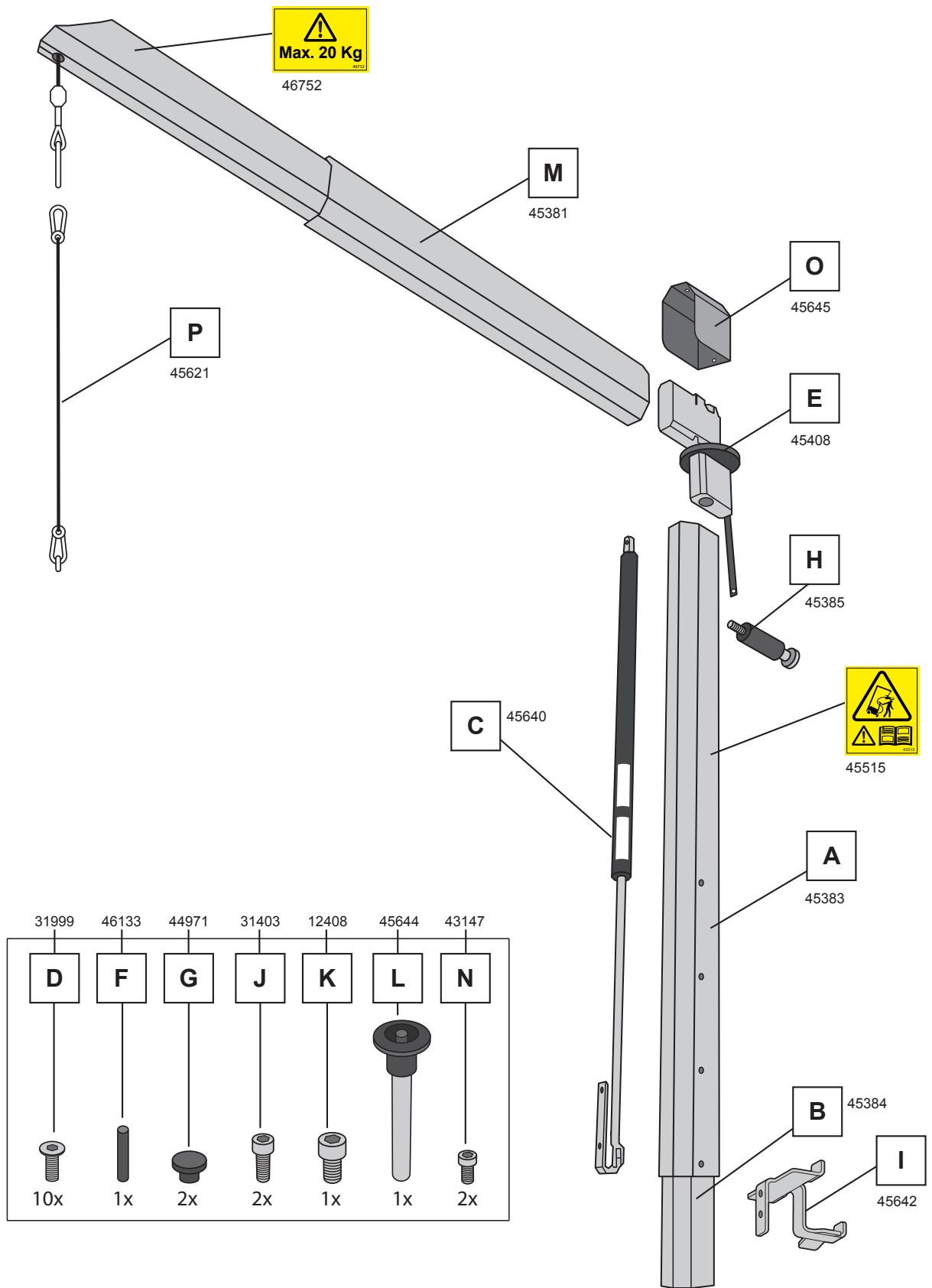


CTR7 Support arm 44962



CTR7 Support arm 44962



WARNING! Always use the handle to move the welder. Do not pull the cable or the tong to move the welder. The welder might tip, causing personal injuries or serious damage to the welder. When moving the machine, the welding gun must be fixed at the intended holder (on the side of the machine) and must not hang on the balancer. A swinging tong might cause personal or material damage.

