

# BenchRack™

5500/6300



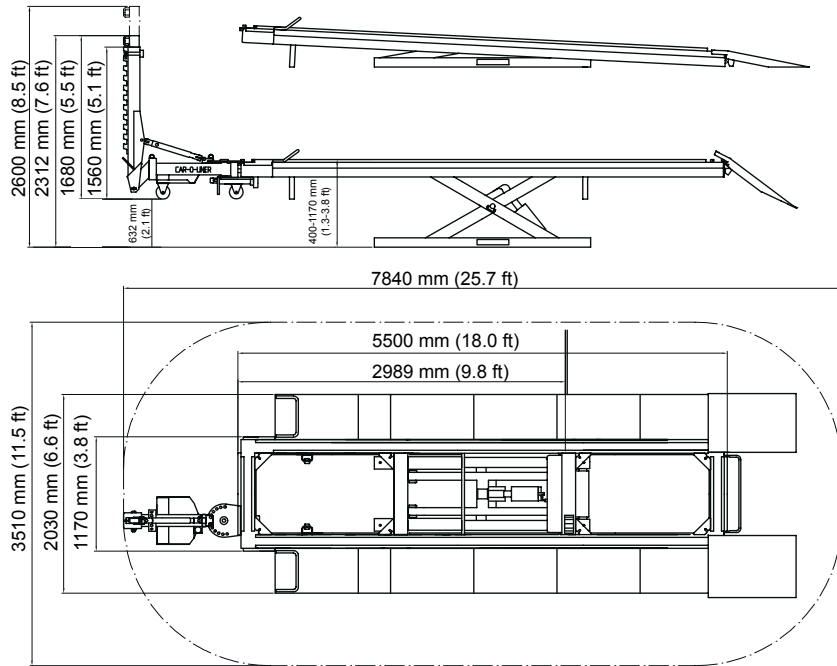
# TECHNICAL DATA

The BenchRack systems gives you the most productivity from both your technician and your equipment. The exclusive drive-on tilt loading feature along with it's variable working height capability makes BenchRack the fastest and easiest to use from set-up, through the repair, to final inspection. BenchRack has the lifting capacity (9200 lbs/4200 kg) to repair all types of vehicles from small cars to light trucks, sport-utilities and vans. BenchRack is available in 4 different lengths from 4.2-6.3.

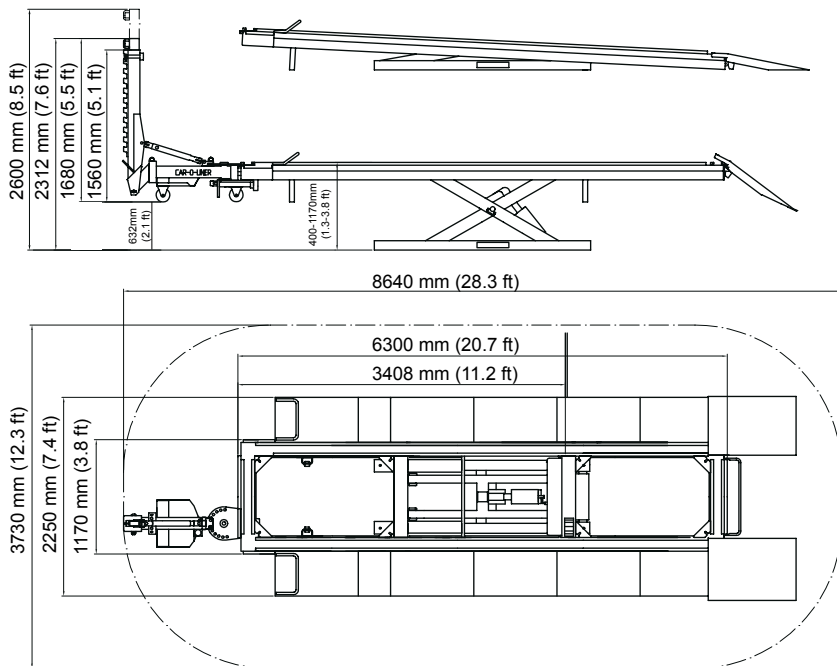
**Note:**

All BenchRack accessories including our world famous Truck Clamping & Support System can be used with all BenchRack models along with Car-O-Mech and Car-O-Tronic, the worlds leading 3 dimensional mechanical and computerized measuring system.

**BenchRack™ 5500  
with scissors lift**



**BenchRack™ 6300  
with scissors lift**



Car-O-Liner products are protected by many foreign and domestic patents, some patents may be pending.

