

Speed™



Car-O-Liner Speed is the answer to increasing productivity and decreasing cycle time.

Technical Specifications

Car-O-Liner Speed

Power supply:

200/220/400 V 3 phase 50 Hz

110/220 V 1 phase 60 Hz

Draw aligner capacity: 5 metric tons

Length: 2510 mm (8.2 ft)

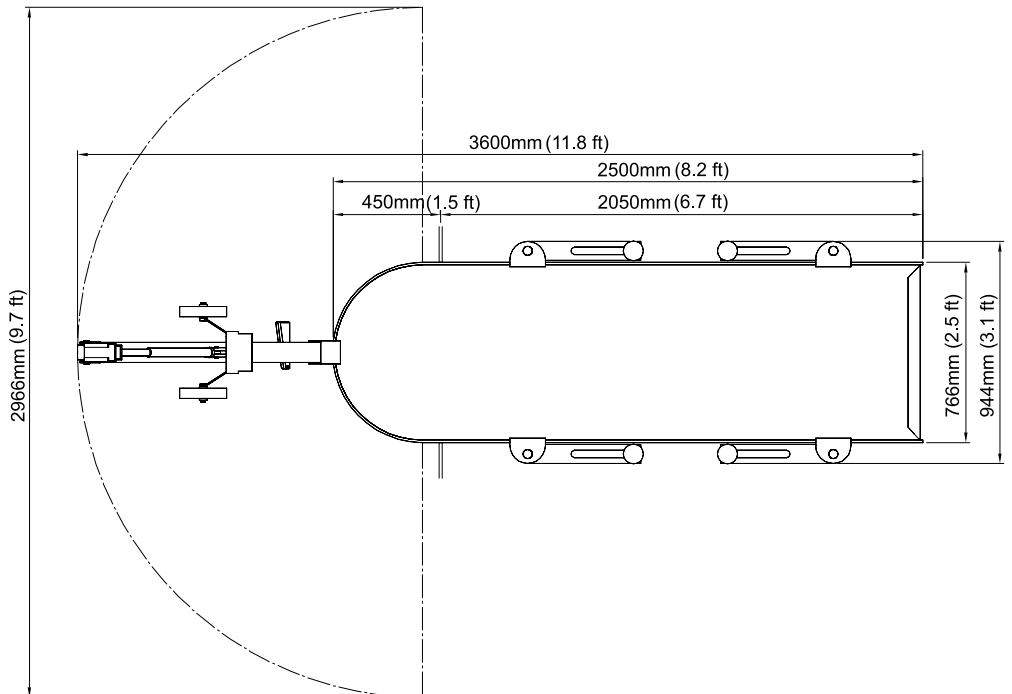
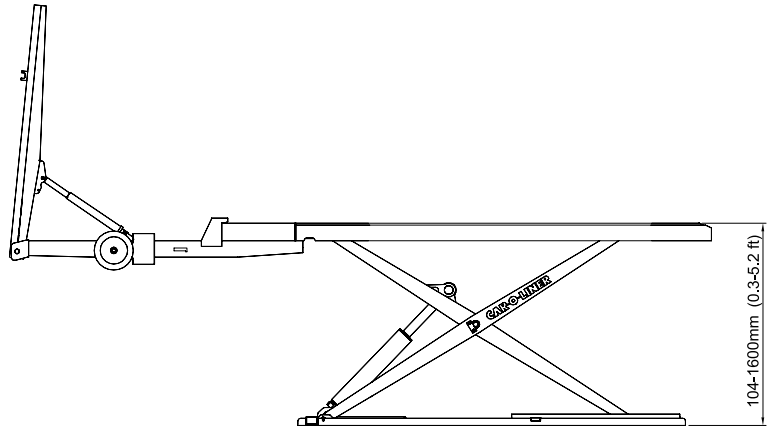
Width: 766 mm (2.5 ft)

Working height:

104 to 1600 mm (0.3-5.2 ft)

Lift capacity:

2500 kg (5,500 lbs)



Description	Type	Art. no
SPEED COMPLETE		1380000010
PLATFORM WITH LIFT		1380000020
DRAWLIGNER	D20	1380385300
BENCH MOUNTING	B30	1380115300
LIFTING ARM	B635	1380116300
CHASSIS CLAMP	B106	1310108300

Car-O-Liner products are protected by many foreign and domestic patents, some patents may be pending.

CAR-O-LINER®

CAR-O-LINER AB Box 7, SE-736 21 Kungsör, Sweden
 Phone +46 227 412 00 E-mail: info@car-o-liner.se
 Telefax +46 227 319 00 Internet: www.car-o-liner.se

